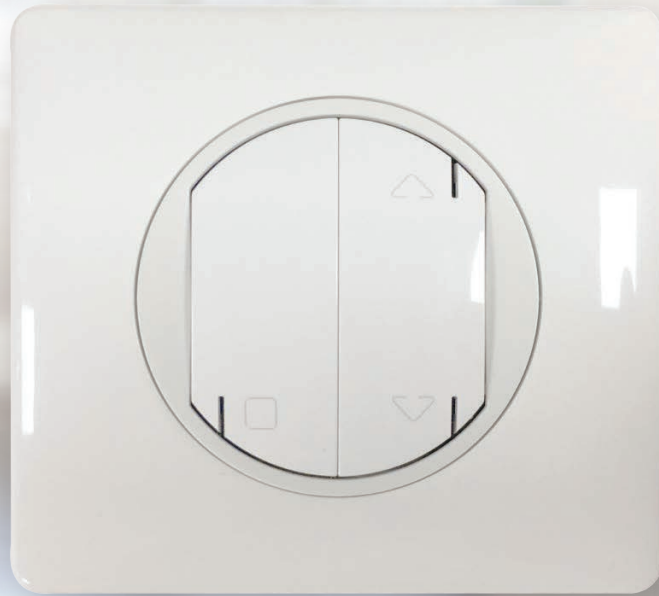


Shutter Controller



The Roller Shutter Controller is designed to program, from any place, the opening and the closing of its shutters, thanks to the installation of new switches. The pack "Shutter Controller" consists of two shutter control switches, one centralized radio control, and one USB Key.

With simple installation, the switch arises in replacement of the existing switch, regardless of its brand. This connected switch communicates directly with the "Central Home" which allows remote control.

The Roller Shutter Controller allows you to schedule and check your opening elements from all your connected devices.

Main Features

- Easy to install
- Remote control of your motorized openings
- Up, down, and stop commands
- Scenario management
- Allows the simultaneous control of several shutters
- Autonomous and Wireless
- Compatible with all types and brands of motors with -3wire control and integrated mechanical or electronic stop



Brief Product Specifications

Supported commands: Ascent / descent / stop

Connectivity: Zigbee® certified 2.4 GHz radio with manufacturer specific profile

Dimensions: Order: 50 x 40 x 39 mm (2 recessed modules), mounting bracket: 74 x 70.9 mm, plate: 82 x 90 x 8.5 mm

Scope: 150m in free field

Power (220V installation): 270 VA min, 500 VA max



2 switches

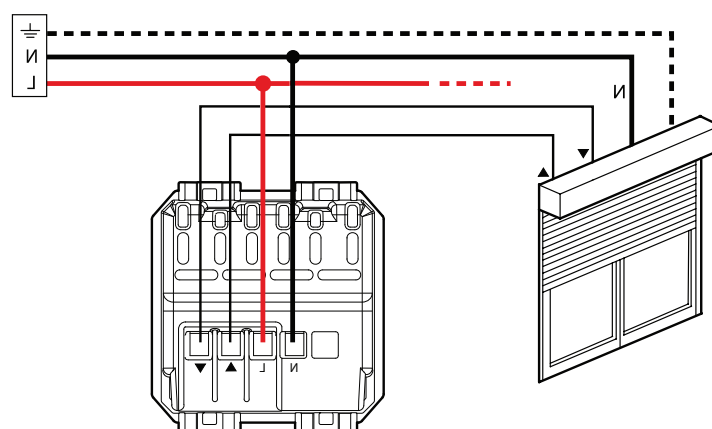


One Centralized Radio Control



One USB Key

Connection Diagram



Rigid wire
Section: 2 x 1.5 mm²
ou 1 x 2.5 mm²
— N(neutral)= blue
— L(phase)= anything but not blue
and green/yellow
- - - ⊥ (earth)= green/yellow

